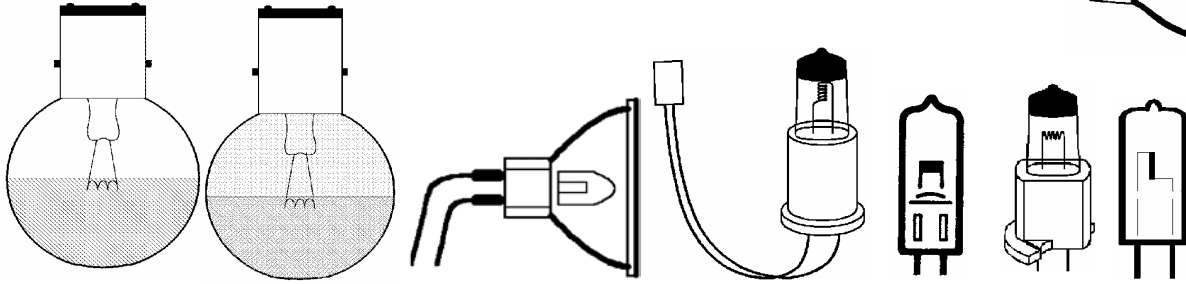
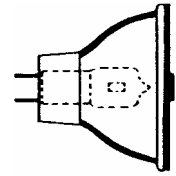




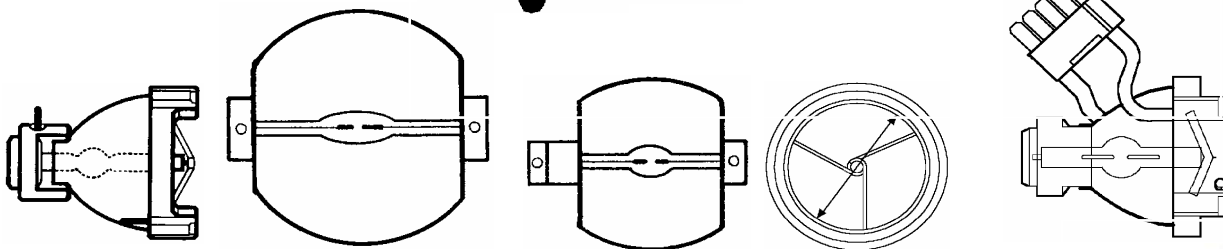
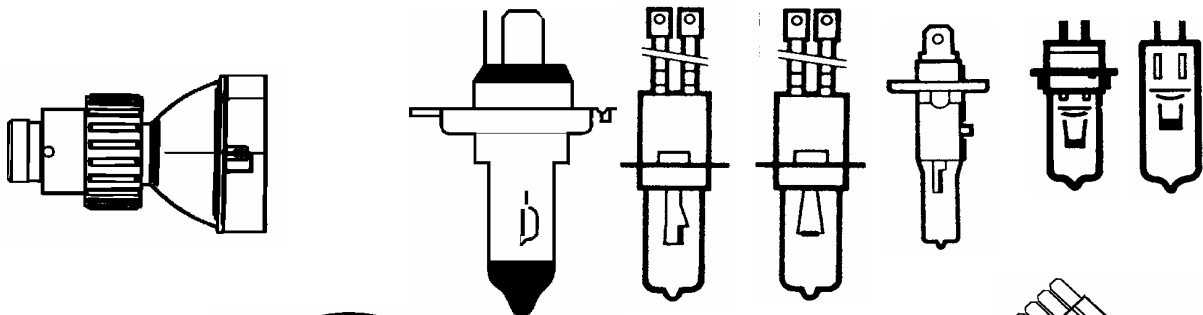
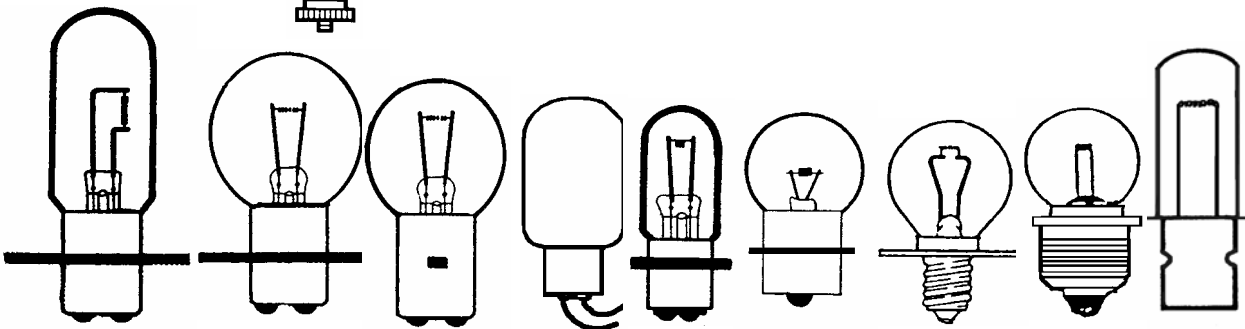
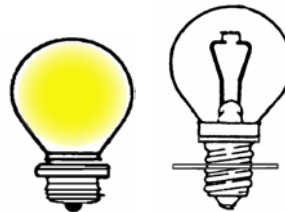
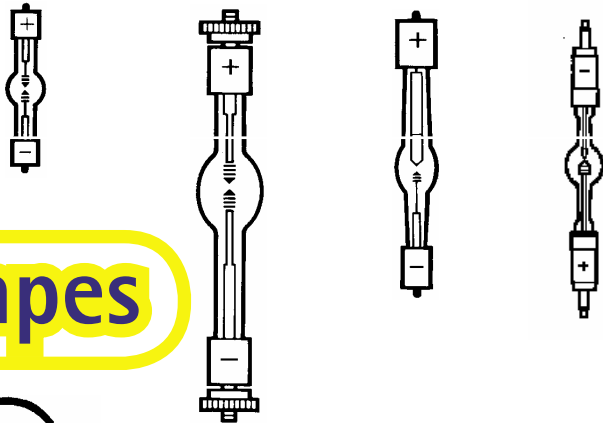
ECONOMIC

BVBA



LAMPEN

lampes



Philip Van Raemdonck
LINDENPLAATS 10
B-9180 MOERBEKE-WAAS

WWW.ECONOMIC.INTER.BE

TEL 09 342 03 53
FAX 09 342 03 65
GSM 0495 64 03 49
economic@inter.be



For Medical Technique

there is an immensely extensive range of such lamps. An analysis or diagnosis must not be allowed to fail just because the right lamps were not available or the wrong lamps were installed. We would like to help you find the lamps you require. In this catalogue we offer you the most widely used and important lamps for medical purposes. If you cannot find the type of lamp you need, please contact us and we will be pleased to assist you. Thanks to our decade-long cooperation with over 50 manufacturers of Specialty Lamps we are able to supply almost every type of lamp in a very short period of time

- We have more than 8000 products for different applications in stock.
So as a rule we are able to complete and ship your order within 24 hours
- We can also supply single items to you. Our prompt delivery service saves you the trouble of maintaining your own stock.
- We can also obtain the rarest types of lamps for you. So you need only us as suppliers to solve your lamp problems

- competent, whenever lamps are concerned -



in addition, the following catalogues are available for special applications

Photo-AV
Stage-TV
Office
Industry

Inhoud

LAMPEN VOOR MEDISCHE TOEPASSING

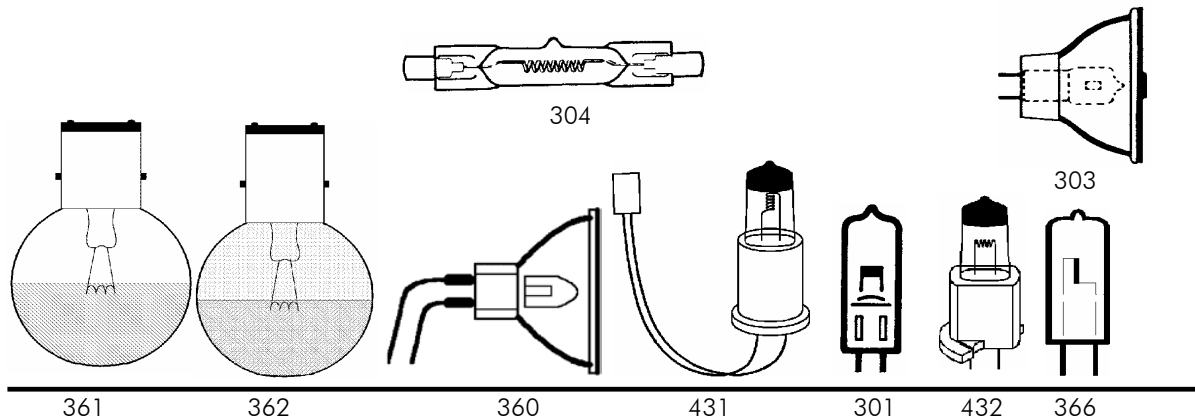
Operating Room Lamps	3
Microscope Lamps, Halogen	5
Microscope Discharge Lamps	8
Microscope Lamps, Conventional Types	9
Endoscope Discharge Lamps	14
Head Lamps, Lamps for Heas Mirrors, Lamps for Ophthalmoscopes/Laryngoscopes	15
Dental Equipment Lamps	17
Special Lamps for Overhead Projector (OHP)	19
Halogen Lamps High Voltage	19
Lamps for UV-Application	20
Lamps for Photo Therapy (SAD)	21
Lamps for Infrared Heat	22
Telephone Lamps, Festoon Lamps, CEAG Lamps	23
Lamps for X-Ray Film Viewer	24
Lamps for Analytical Devices, Photometer Halogen Lamps	25
Lamps for Analytical Devices, Discharge Lamps	26
Lamps for Analytical Devices, Deuterium Lamps	27
Replacementlist for OP-Lamps	30
Replacementlist for Photometers	31
Replacementlist for Endoscopes	32
Replacementlist for Spectralphotometer and HPLC Devices	33



OPERATING ROOM LAMPS - LIGHTS: Original "Heraeus"

also deliverable as alternative articles

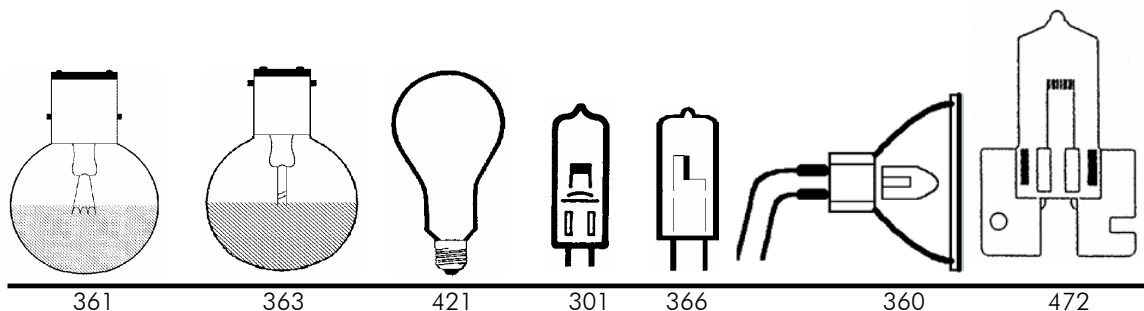
Ordering Code	Hanaulux Lamps	Voltage [Volt]	Power [Watt]	Base	Length [mm]	Fig.
HL-191	56016191	12	25	Ba15d	40x63	363
HL-852	56051852	12	50	GU6,35	50x32	303
HL-399	56050399	12	100	Cable	50x32	360
HL-488	56050488	12	100	Cable	50x32	360
HL-565	56018565	12	100	GZ6,35	50x32	303
HL-653	56004653	12	100	Cable	50x32	360
HL-869	56018869	15	150	GZ6,35	50x32	303
HL-026	56053026	21,5	130	special		432
HL-769	56018769	22,8	40	G6,35	10x42	301
HL-282	56115282	22,8	50	G6,35	10x42	366
HL-566	56018566	22,8	50	G6,35	10x42	301
HL-366	56018366	22,8	75	R7s	13x64	304
HL-164	56016164	24	25	Ba15d	40x63	363
HL-306	56018306	24	40	Bx22d	50x80	362
HL-550	56018550	24	40	Ba15d	40x63	363
HL-010	56053010	24	50	special		431
HL-678	56016678	24	50	Bx22d	50x80	361
HL-579	56016579	32	40	Ba15d	40x63	363
HL-813	56016813	32	50	Bx22d	50x80	361
HL-505	56018505	50	30	Ba15d	40x63	363
HL-685	56016685	50	50	Bx22d	50x80	361
HL-170	56016170	110	30	Ba15d	40x63	363
HL-423	56016423	110	50	Bx22d	50x80	361
HL-679	56016679	110	50	Bx22d	50x80	361
HL-190	56019190	120	50	Bx22d	50x80	361
HL-238	56016238	125	30	Ba15d	40x63	363
HL-578	56016578	125	50	Bx22d	50x80	361
HL-188	56019188	220	50	Bx22d	50x80	361
HL-250	56018250	220	50	Bx22d	50x80	362
HL-251	56018251	220	50	Bx22d	50x80	361
HL-189	56019189	240	50	Bx22d	50x80	362
HL-252	56018252	240	50	Bx22d	50x80	362
HL-253	56018253	240/250	50	Bx22d		
HL-198	56053198	22,8	90			



Lamps for Operation - Lights: Berchtold, Martin, Dr. Mach

also deliverable as alternative articles

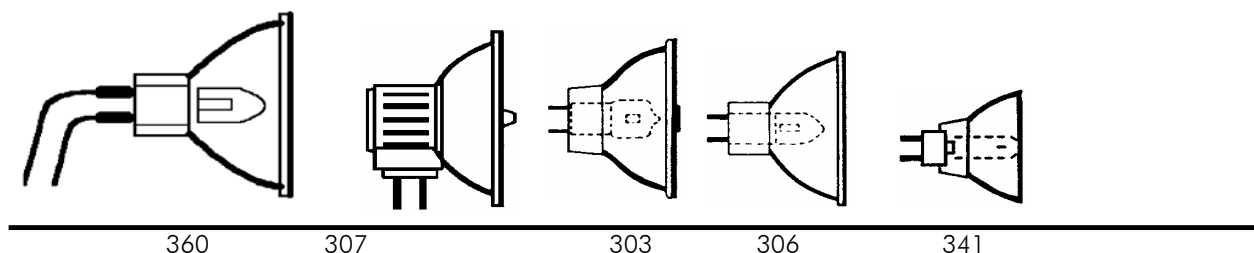
Ordering Code	Berchtold Lamps	Voltage [Volt]	Power [Watt]	Base	Length [mm]	Fig.
TU-019	CZ 940-12	12	35	G6,35	14x55	301
TU-020	CZ 955-12	12	50	G6,35	14x55	301
TU-002	CZ 905-22	22,8	110	G6,35	14x50	366
TU-004	CZ 906-24	22,8	150	G6,35	14x50	301
TU-005	CZ 907-22	22,8	250	G6,35	14x55	301
TU-001	CZ 904-24	22,8	55	G6,35	14x55	301
TU-008	CZ 908-22	22,8	150	G6,35		upper Fig.
TU-017	CZ 916-02	24	25	Ba20d	40x70	363
TU-018	CZ 916-04	24	25	Ba20d	40x70	363
TU-003	CZ 905-24	24	100	G6,35	13x50	301
TU-021	CZ 905-00	24	120	G6,35	11x44	301
TU-007	CZ 908-24	24	150	G6,35	13x55	301
TU-006	CZ 907-24	24	250	G6,35	14x50	301
TU-014	CZ 914-04	24	50/50	Ba22d	80x126	361
TU-011	CZ 912-02	24	75/75	E27	80x150	421
TU-012	CZ 912-04	24	75/75	E27	80x150	421
Martin Lamps						
MT-707	98-004-707	15	150	Kabel		360
MT-903	86-903-00	22,8/24	50/55	G6,35	10x42	366
MT-950	86-950-00	24	25	Ba20d	40x70	upper Fig.
MT-905	86-905-01	24	120	G6,35	14x50	366
MT-907	86-907-01	24	150	G6,35	14x50	301
MT-910	86-910-00	24	250	G6,35	14x55	301
MT-916	88-916-02	24	50	Ba20d		363
MT-970	86-970-00	24	50	Ba20d		upper Fig.
Dr. Mach Lamps						
MA-024	1820/91	12	20	Ba15d		361
MA-025	1590/91	24	25	Ba20d		361
MA-050	1660/91	22,8	50	G6,35	10x37	366
MA-040	1240/91	22,8/24	40/50	G6,35	10x41	366
MA-044	1210/91H	22,8/24	40/50	Ba15d	10x52	upper Fig.
MA-051	1663/3	24	50			upper Fig.
MA-064	1150/91	24	60	Ba20d	39x67	363
Alm Lamps						
JX-103		23	100	X-514SP	26x47	472
JX-120	DIS 21921	24	120	X-514	26x47	472



Halogenlampen mit Kaltlichtreflektor

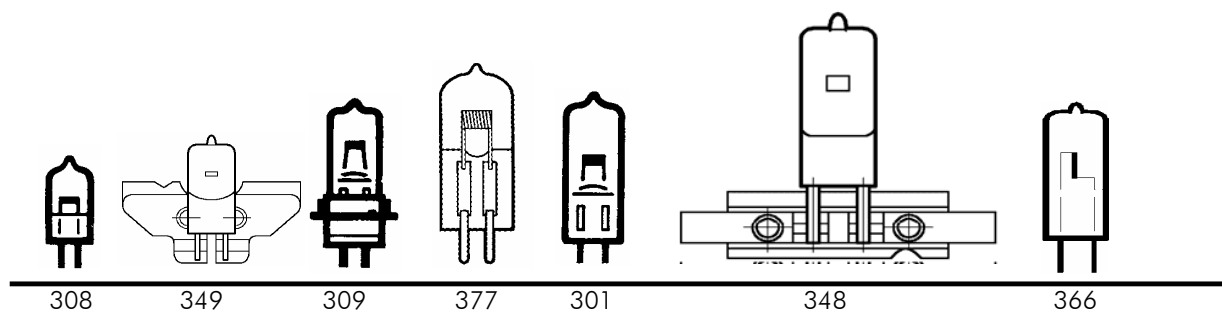
Ordering Code	References		Voltage [Volt]	Power [Watt]	Base	Length [mm]	Rated Average Life [hrs]	Fig.
	Osram	Philips						
BR-850	64607		8	50	GZ6,35	50x42	50	303
EFM			8	50	GZ6,35	50x42	50	303
KL-850		6847	8	50	GZ6,35	50x42	50	303
EKZ			10,8	30	GX5,3	50x45	200	306
BAB*	41860WFL	6464	12	20	GU5,3	50x45	2000	306
FTD*	41890WFL	12302	12	20	G4	35x45	3500	341
ENL*			12	50	GX5,3	50x45	2000	306
EXN*	41870WFL	6461	12	50	GX5,3	50x45	3000	306
KL-075	64615HLX	6853	12	75	GZ6,35	50x42	50	303
KL-139		13139	12	75	GZ6,35	50x42	25	306
KL-175		6604	12	75	GZ6,35	54x51	50	303
KL-100	64627HLX	6834	12	100	GZ6,35	50x42	50	303
KL-109	64637	EBV	12	100	GZ6,35	50x42	1500	303
FLS			13,8	25	GZ4	35x40	1000	341
FLT			13,8	25	GZ4	35x40	500	341
DJT		13189	13,8	50	GX5,3	50x45	1000	306
DED	64618	13194	13,8	85	GX5,3	50x45	1000	306
GED	64658	13131	13,8	85	Cable	50x50	1000	360
EPX/EPV	64619	13186	14,5	90	GX5,3	50x45	500	306
KL-150	64634HLX	6423/EFR	15	150	GZ6,35	50x42	50	303
DDL		14501	20	150	GX5,3	50x45	500	306
DDS		13160	21	80	GX5,3	50x45	1000	306
DNF	93631	14529	21	150	GX7,9	50x45	25	307
EJA			21	150	GX5,3	50x45	40	306
EJM			21	150	Gx5,3	50x45	40	306
ELZ			21	150	GX7,9	57x45	100	307
ELC	64653HLX	13163	24	250	GX5,3	50x45	50	306
EJL		13164	24	200	GX5,3	50x45	50	303
ERV		13098	36	340	GX5,3	50x45	75	303
ENX	93525	13824	82	360	GY5,3	50x45	75	306
ELH	93518	13096	120	300	GY5,3	50x45	35	306
ENG			120	300	GY5,3	50x45	15	306

* also with protection glass



Halogen Lamps without Reflector

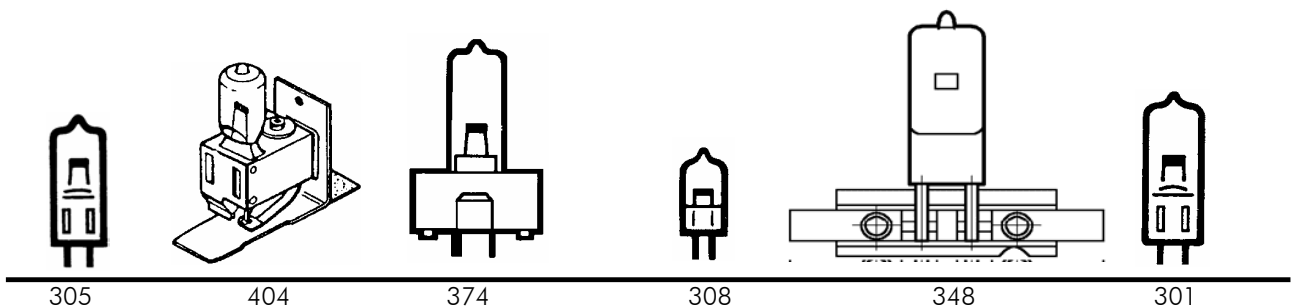
Ordering Code	References			Voltage [Volt]	Power [Watt]	Base	Length [mm]	Rated Average Life [hrs]	Fig.
	Osram	Philips	Alternative						
EH-610	64225	7387/ESA	68970	6	10	G4	9x31	100	308
JP-125			55125	6	10	PY16-1,25	9x30	100	349
JQ-010	64223	5972		6	10	G4	8x38	300	308
JQ-012	64222			6	10	PG22	9x44	300	309
NH-010	64410S		116910	6	10	G4	9x31	2000	308
EH-620	64250HLX	7388/ESB	56020	6	20	G4	9x31	100	308
EH-622	64251HLX			6	20	PG22	9x40	100	309
JP-133			55133	6	20	PY16-1,25	9x30	100	349
JP-147			55147	6	25	PY16-1,25	9x30	100	349
5761		5761		6	30	G4	9x31	100	308
JQ-035	64275			6	35	G4	9x40	50	366
JP-168		HLW55A	55168	6	30	PY16-1,5			upper Fig.
DZA			37346	10,8	30	G5,3	10x51	400	377
JP-127			55127	12	10	PY16-1,25	9x30	50	349
JP-140			55140	12	20	PY16-1,25	9x30	1000	349
NH-020	64425S	13078A-UB	115330	12	20	G4	9x33	2000	308
JQ-030	64261			12	30	G6,35	12x45	50	301
JQ-032	64260			12	30	PG22	9x40	50	309
JP-205			55205	12	50	PY24-1,5	11x53	50	348



Halogen Lamps without Reflector

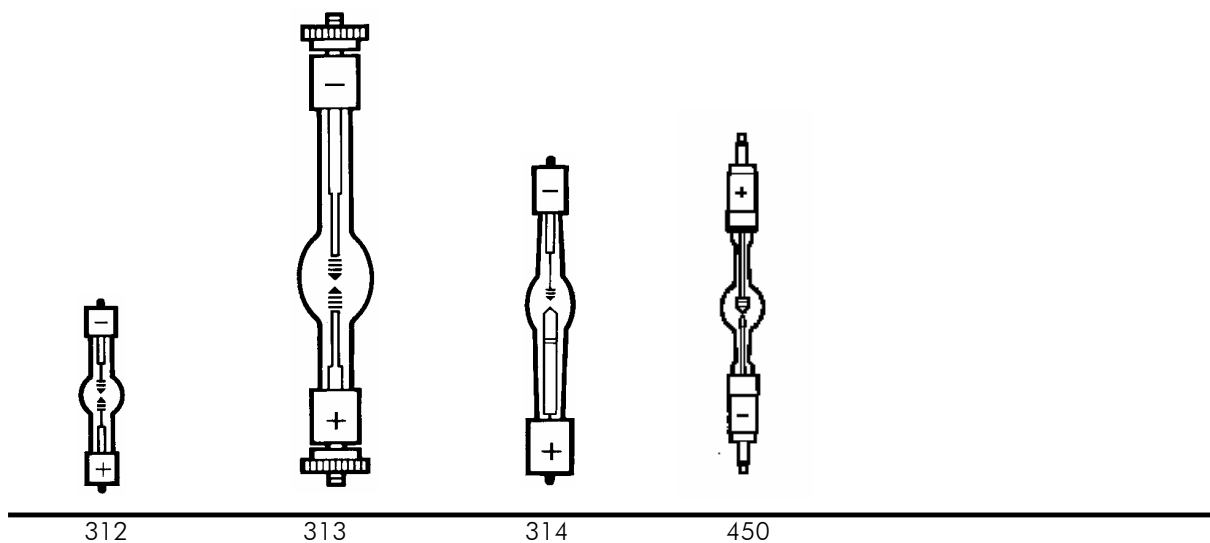
Ordering Code	References			Voltage [Volt]	Power [Watt]	Base	Length [mm]	Rated Average Life [hrs]	Fig.
	Osram	Philips	Alternative						
JQ-050	64610HLX	7027/BRL	55201	12	50	G6,35	11x44	50	305
MI-643			384-643	12	50	Special			404
NH-050	64440S	13102A		12	50	GY6,35	12x44	2000	301
NH-059*	64440S	13102A		12	50	GY6,35	12x44	2000	301
JQ-075	64616HLX			12	75	G4	9x35	25	305
FDT	64628	5973	35321	12	100	GY9,5	15x57	50	374
JP-305			55305	12	100	PY24-1,5	11x53	50	348
JQ-100	64625HLX	7023/FCR	55301	12	100	GY6,35	11x44	50	305
JQ-109	64623HLX	7724/EVA		12	100	GY6,35	11x44	2000	305
JQ-150	64633HLX	6550/BRJ		15	150	G6,35	11x44	50	301
NH-024	64435U	13091	22311364	24	20	G4	9x33	2000	308
NH-054	64445U	13090	22310856	24	50	GY6,35	12x44	2000	301
JQ-129	64638HLX			24	100	G6,35	13x50	300	301
NH-124	64460U	13089	RJY10024	24	100	GY6,35	12x44	2000	301
JP-405			55405	24	150	PY24-1,5	12x59	50	348
JQ-240	64640HLX	7158XHP	FCS	24	150	G6,35	14x50	50	301
JQ-249	64642HLX	6680/FDV		24	150	G6,35	14x50	300	301
JP-503			55503	24	250	PY24-1,5	13x63	50	348
JQ-250	64655HLX	7748XHP	EHJ	24	250	G6,35	14x55	50	301
JQ-259	64657HLX	6958/EVC		24	250	G6,35	14x55	300	301
JQ-436	64663HLX	7787XHP	EVD	36	400	G6,35	18x60	50	301

* =frosted glas



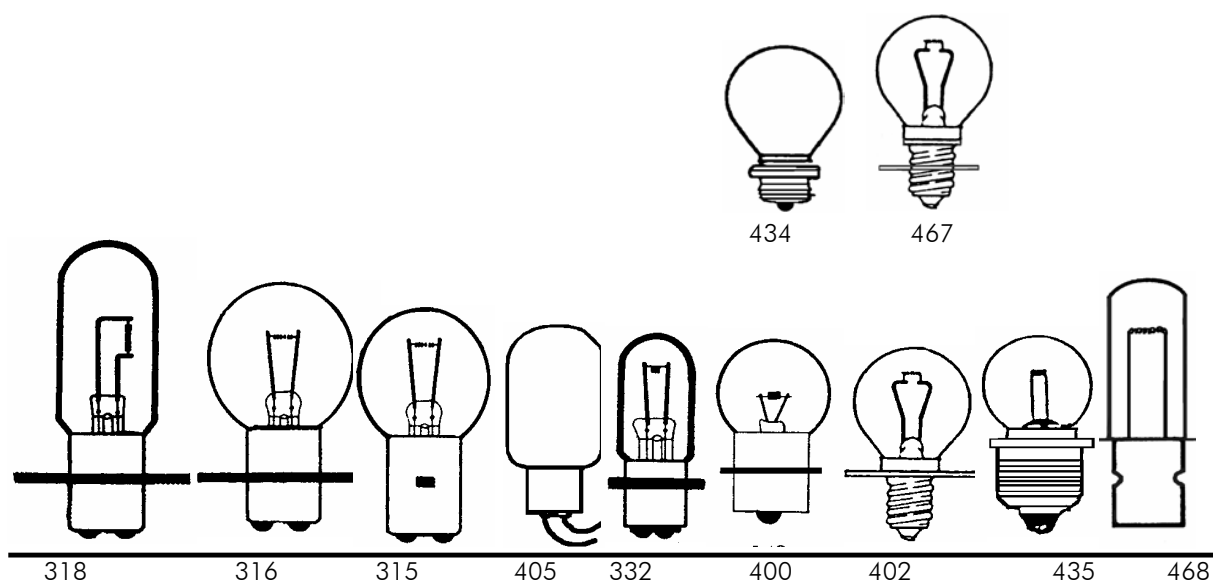
Microscope Discharge Lamps

Ordering Code	Osram	References Ushio	Alternative	Power [Watt]	Rated Average Life [hours]	Abb.
QL-0050	HBO 50W/ACL1		Leitz 500-137 L1	50	100	312
QL-0051	HBO 50W/ACL2		Leitz 500-137 L2	50	100	312
QL-0053	HBO 50W/3			50	200	312
XL-008	XBO 75W/2	UXL 75XO		75	400	314
QL-0102	HBO 100W/2	USH 102D	Leitz 500-138	100	200	314
QL-0103	HBO 103W/2			100	300	314
QL-0203	HBO 200W/2L1		HBO 200W	200	200	313
QL-0204	HBO 200WL 2			200	200	313
QL-0209	HBO 200W/4 L1			200	200	313
QL-0206	HBO 200W/DC			200	1000	313
XL-0453	XBO450W/OFR	UXL 451-0		450	2000	450



Microscope Lamps, Conventional Types with adjusted Metal Ring

Ordering Code	Zeiss	References Alternativ	Voltage Power/A [Volt] [Watt]		Base	Length [mm]	Rated Average Life [hrs]	Fig.
OQ-015		70261	6	5	Special	35x65	600	434
OQ-072	390172	SM-30-07-99	6	5	Special	15x27	50	400
OQ-155		1155HGG	6	5	Special	15x27	50	435
OQ-660		10680	6	6	adjusted Disk	17x29		467
OQ-029	380029-9010	70315	6	15	PY28d	19x51		332
OQ-067		35334	6	15	Spec. Bakelit	22x74		upper Fig.
OQ-076	380176	843120	6	15	Px22d	17x53	80	332
OQ-077	380018-1740	00843121/380177	6	15	P24d	18x51	80	332
OQ-177		500-177	6	15	Spez.	17x53	80	332
OQ-505		70505	6	15	S15d/20	19x53		468
OQ-615		Nikon TNK	6	15	P25d	20x53		332
OQ-049		70249	6	20	B21d/Ring			315
OQ-053	390153	843222	6	25	P47d	25x65	80	318
OQ-058	390158	843110	6	30	P47d	35x63	80	316
OQ-063	390163		6	30	Kabel	35x85		405
OQ-065		35335	6	30	Spez. Bakelit	25x78		upper Fig.
OQ-086	390186	843111	6	50	P47d	35x63	100	316
OQ-066		10720	6	0,6A	E9/adjusted Disk			upper Fig.
OQ-100		260.00.001	6	4,35A	E14	35x62		402
OQ-750		HS940-750	6	4,5A	P40s	34x63		402
OQ-930		HS900-930	6	4,5A	P44s	35x65	300	402
OQ-064			12	25	round Ring			upper Fig.
OQ-464		70464	12	25	15s/22 angular ring		18x52	318
OQ-013	390213		12	35	P47d	35x63	100	316
OQ-348	380018-2520	00843057/380216	12	60	Ba20d	35x69	100	315
OQ-413	390413		110	50	PY28d	25x78		upper Fig.

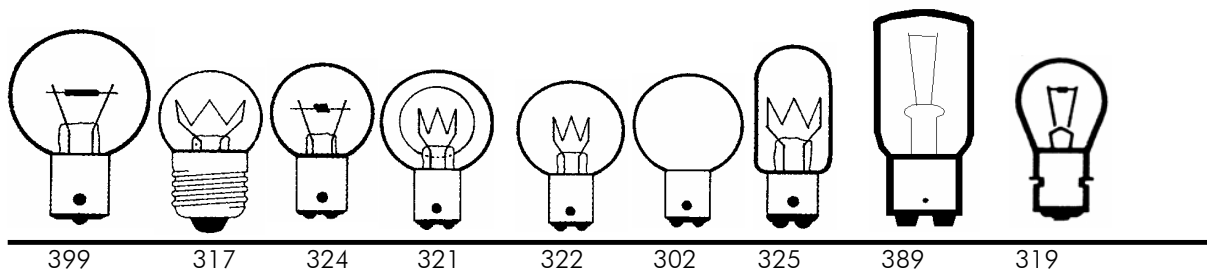


Mikroskop Lamp, Conventional Type without adjusted Metal Ring

Ordering Code	References		Design	Voltage Power/A		Base	Length [mm]	Rated A' Life [hrs]	Fig.
	Olympus	Alternativ		[Volt]	[Watt]				
MI-066	35321		clear	3	2A	Ba15s	18x34		399
MI-283		OP2801	clear	6	10	Ba15d	18x35	100	324
MI-286		OP2128	clear	6	15	Ba15d	19x35	100	324
MI-347		13347W	clear	6	15	Ba15d	18x54	100	389
MI-273		OP2116S	frosted/half mir.	6	18	Ba15d	30x47	100	324
MI-228		59-42360	clear	8	20	Ba15d	18x54		upper Fig.
MI-065	35322			8	5A				upper Fig.
MI-582		7582	clear	12	25	Ba15s	25x48	50	319
MI-276		30X48/C6	clear	24	20	Ba15d	30x48	500	324
MI-229	35343	O-3605	half mirrored	220	20	BA15d	35x49		321
MI-277**		O-3920	half mirrored	220	20	Ba15d	29x49	300	302
MI-279		O-3623	clear	220	20	E27	35x65	500	317
MI-284		C30Small/C	clear	220	20	Ba15d	29x48	300	322
MI-288		O-3561	half mirrored	220	20	Ba15d	25x65	100	325
MI-285			clear	220	30	E27	35x54	500	317
MI-280			clear	235	15	Ba15d	22x53	300	325
MI-278*		O-3601	half mirrored	240	20	Ba15d	30x47	300	321
MI-281		O-3600	frosted	240	20	Ba15d	20x49	500	325

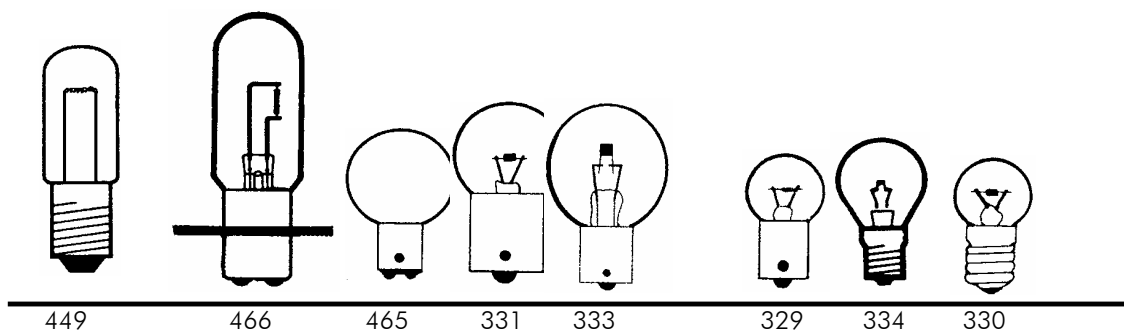
* = mirrored

** = blue



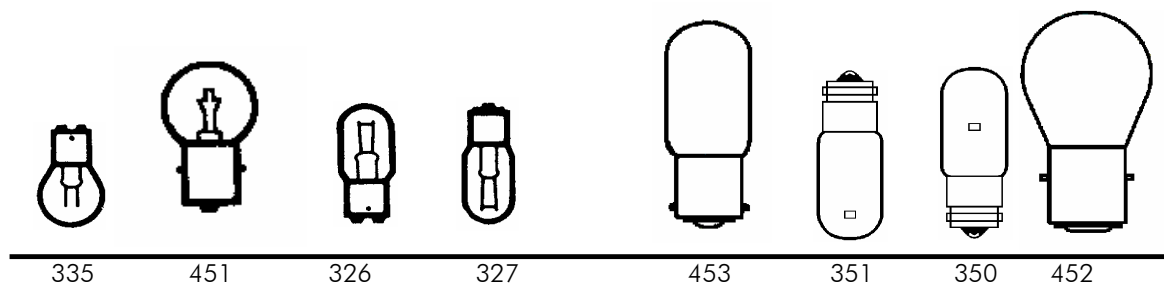
Microscope Lamps, Conventional Types (without adjusted Metal Ring)

Ordering Code	References Olympus Alternativ	Bauart	Voltage [Volt]	Power/A [Watt]	Base	Length [mm]	sted Average Life [hrs]	Fig.
MI-275	OP2106		3-6	2	Ba15s	18x35	100	331
MI-282	C6ZG13,8		4-6	1,2A	Ba9s	13x27	70	329
MI-287	wie OP2101		4-6	1,2A	E10	13x27	70	330
MI-021	5021KL	clear	6	5	EP10	18x40	50	334
MI-251	840605	clear	6	5	Ba9s	15x27	50	329
MI-386	70386	clear	6	15	E14	18x57	100	upper Fig.
MI-389	70389	clear	6	15	E14	18x54		449
MI-274	OP2502		12	5	Ba15s	35x61	100	333
MI-125	12310802	clear	12	25	justiert	18x53		466
MI-139	35342	half mirrored	120	30	Ba15d	35x59		465



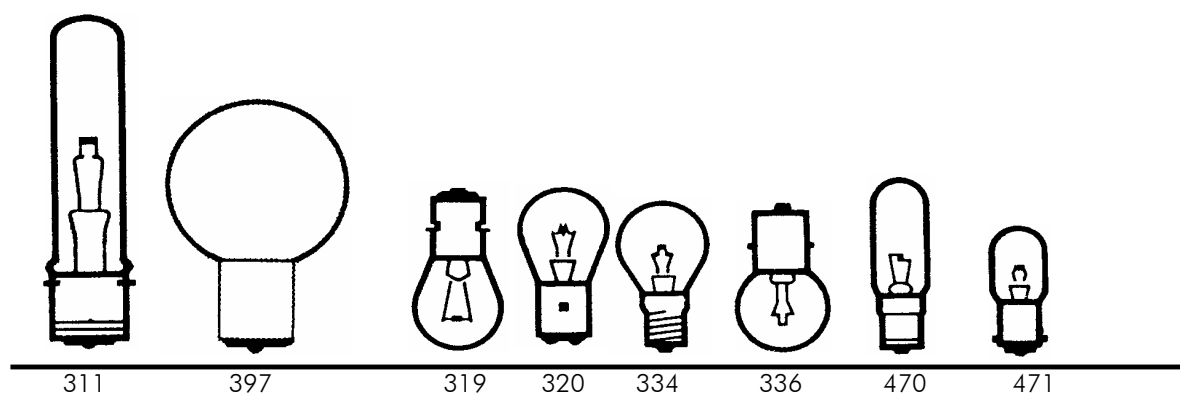
Microscope Lamps, Conventional Types (for Optical Purposes)

Ordering Code	References		Voltage [Volt]	Power/A [Watt]	Base	Length [mm]	Rated Average Life [hrs]	Fig.
	Osram	Alternativ						
LO-013	8013	843093	6	10	Ba15d	25x46	200	335
LO-014	8014		6	10	Ba15s	25x46	600	331
LW-171		67171	6	10	Ba15d			451
LW-173		67173	6	10	Ba15d			451
LO-017	8017		6	15	Ba15d	19x54	1000	326
LO-018	8018		6	15	Ba15d	19x52	100	327
LW-221		67221	6	15	Ba15d			453
LW-225		67225	6	15	Ba15d			453
LW-241		67241	6	15	Z16	19x55	100	351
LW-242		67242	6	15	Z16	19x55	100	351
LW-251		67251	6	15	Z16			350
LW-261		67261	6	15	Z16			350
LW-272		67272	6	15	Z16			350
LW-273		67273	6	15	Z16			350
LW-401		67401	6	30	Ba20d	35x60		452
LW-411		67411	6	30	Ba20d			452
LW-432		67432	6	30	Z19			upper Fig.
LW-461		67461	6	30	Ba20d			326
LW-441		67441	6	30	Z19			upper Fig.
LW-471		67471	6	30	Z16	19x55	50	350
LW-491		67491	6	30	G16t			upper Fig.
LW-631		67631	6	50	Ba20d			upper Fig.
LO-001	8001		6	4,35A	E14	35x65	100	334



Microscope Lamps, Conventional Types (for Optical Purposes)

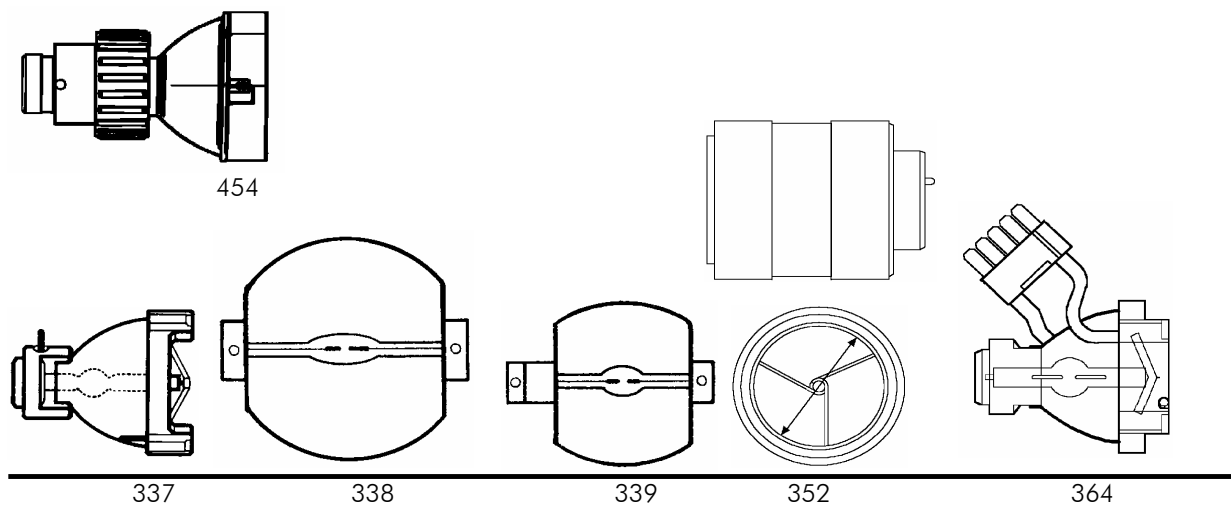
Ordering Code	References		Voltage [Volt]	Power/A [Watt]	Base	Length [mm]	Rated Average Life [hrs]	Fig.
	Osram	Alternativ						
LO-025	8025		6	5A	Ba20d	35x60	300	336
LO-026	8026	67041	6	5A	Sx15s	20x78	500	470
LO-100	8100	843016	6	5A	E14	35x65	600	334
LO-128	8128		6	5A	Ba15s	19x55	50	471
LW-522		67522	6,3	35	E14			upper Fig.
LO-024	8024	841014	12	40	Ba20d	35x67	500	320
LO-022	8022		12	50	Ba20d	35x69	50	319
LW-601		67601	12	50	Ba20d			452
LW-612		67612	12	50	Ba20d			452
LW-622		67622	12	50	Ba20d			upper Fig.
LO-126		3770/3	12	60				upper Fig.
LO-032	8032	843058	12	100	P28s	28x135	100	311
LW-822		843146	12	100	S20s	60x92	100	397
LO-029	8029		15	60	Ba20d	35x67	25	320
LO-203	8203	843106	25	1A	Ba15s	19x52	30	upper Fig.



Endoscope Discharge Lamps

Ordering Code	Osram	References		Voltage [Volt]	Power [Watt]	Length [mm]	Rated Average Colour		Fig.
		ORC	Alternativ				Life [hrs]	Temp. [°K]	
CE-150		150F	LX 150F	12	150	32x50	500	5900	352
CE-175		175F		13	175	32x50	500	5900	352
XL-0102	XBO-R 100W/45			14	100	67x83	500	6000	337
XL-0103	XBO-R 100W/45C			14	100	67x83	500	6000	364
XL-0180	XBO-R 180W/45			14	180	67x83	500	6000	337
XL-0185	XBO-R 180W/45C			14	180	67x83	500	6000	364
CE-303		300F		14	300	32x50	500	5900	352
CE-304		300UV		14	300	32x50	500	5900	352
WA-095		9500		24					upper Fig.
HT-025	HTI-250/32			45	270	67x73	250	5600	337
HT-027	HTI-250/32C			45	270	67x73	250	5600	364
HT-029	HTI-250/22			45	270	67x73	250	6000	337
HT-040	HTI-400/24			55	400	67x73	250	5600	364
HT-045	HTI-403/24			55	400	67x73	750	5600	364
RP-501		MPXL-RP50/1			35	50x64	ca. 5000	3700	454
RP-502		MPXL-RP50/2			35	50x64	ca. 5000	3900	454
HT-026	HTI-250W/SE			45	250	80x35	250	4900	upper Fig.

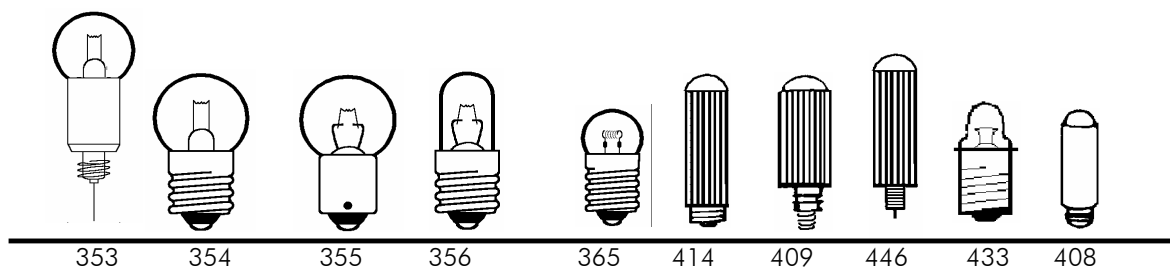
CE-TM12 Timer for Superlux 300 from Zeiss



Head Lamps, Lamps for Head Mirrors, Lamps for Ophtalmoscopes, Laryngoscopes

Ordering Code	Voltage [Volt]	Power [Watt]	Base	Length [mm]	Fig.
KO-041	2,25	0,56	E10	10x22	433
KO-018	2,5		Thread	5x20	414
KO-052	2,5		Thread	4x16	446
KO-046*	2,7		Thread with Spring	4x15	409
KO-047*	2,7		Thread with Spring	5,5x18	409
KO-042	3,8		Thread	4,5x17	408
KO-001	4	6	E10	15x27	354
KO-006	4	6	Thread	10x23	353
KO-013	4	6	E10	12x25	365
KO-045	6		E10	15x28	354
KO-044	6		E10	18x31	354
KO-004	6	4	E10	15x27	354
KO-002	6	6	E10	15x27	354
KO-005	6	6	Thread	10x23	354
KO-007	6	6	E10	9x31	356
KO-008	6	6	Ba9s	15x28	355
KO-012	6	6	E10	12x25	365
KO-003	6	10	E10	15x27	354
KO-009	6	10	Ba9s	8x23	355

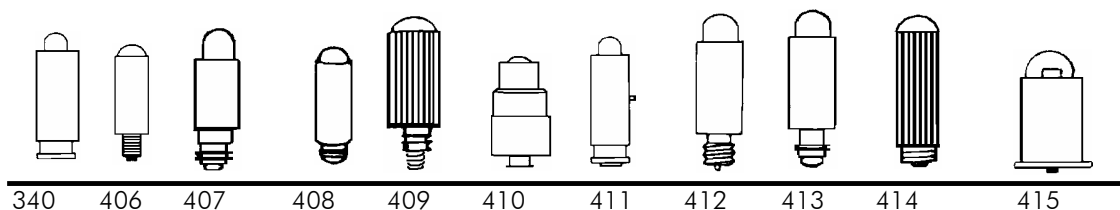
* = frosted glas



Head Lamps, Lamps for Head Mirrors, Lamps for Ophtalmoscopes, Laryngoscopes

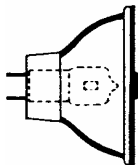
Ordering Code	Elements	Heine No.	Refernce No.	Voltage [Volt]	Fig.
HO-135	Halogen	X.01.88.035	035H	2,5	406
HO-137	Halogen	X.01.88.037	037H	2,5	408
HO-141	Halogen	X.01.88.041		2,5	410
HO-142	Halogen	X.01.88.042	042H	2,5	411
HO-156	Halogen	X.01.88.056		2,5	340
HO-157	Halogen	X.01.88.057	057H	2,5	407
HO-159	Halogen	X.01.88.058	059H	2,5	409
HO-134	Halogen	X.01.88.034	034H	2,5	upper Fig.
HO-138	Halogen	X.01.88.038	038H	2,5	upper Fig.
HO-139	Halogen	X.02.88.039		2,5	upper Fig.
HK-135	Krypton	01.88.035	035Kr	2,5	406
HK-137	Krypton	01.88.037		2,5	408
HK-141	Krypton	01.88.041	041Kr	2,5	410
HK-142	Krypton	01.88.042		2,5	411
HK-156	Krypton	01.88.056	056Kr	2,5	340
HK-157	Krypton	01.88.057	057Kr	2,5	407
HK-159	Krypton	X.01.88.059	059Kr	2,5	409
HO-244	Halogen	X.02.88.044		3,5	412
HO-249	Halogen	X.02.88.049	049H	3,5	413
HO-251	Halogen	X.02.88.051	051H	3,5	414
WA-030*	Halogen		03000/WA30	3,5	upper Fig.
WA-031*	Halogen		03100/WA31	3,5	408
WA-049*	Halogen		04900/WA49	3,5	upper Fig.
WA-082*	Halogen		08200/WA82	3,5	upper Fig.
HO-246	Halogen	X.02.88.046		3,5	upper Fig.
HO-248	Halogen	X.02.88.048		3,5	
HO-468	Halogen	X.04.88.068	068H	6	415

* WA = Welch Allyn

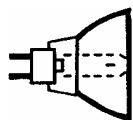


Dental Equipment Lamps with Dichroic Reflector

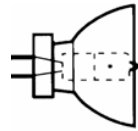
Ordering Code	References Osram	Philips	Voltage [Volt]	Power [Watt]	Base	Length [mm]	Rated Average Life [hrs]	Fig.
KL-528		13528	6	15	GZ4	35x40	750	upper Fig.
KL-020	64255	13390	8	20	G4	35x32	50	341
KL-605	64605		8	50	G4	35x32	25	341
KL-298		13298	10	52	GZ4			upper Fig.
KL-013	64613		12	75	G5,3-4,8	35x35	25	341
KL-017	64617	13865	12	75	G5,3-4,8	35x35	25	445
KL-035	64624		12	100	G5,3-4,8	35x35	25	341
KL-165		13165	14	35	G4	35x42	50	341
KL-150	64634HLX	6423	15	150	GZ6,35	50x42	50	303



303



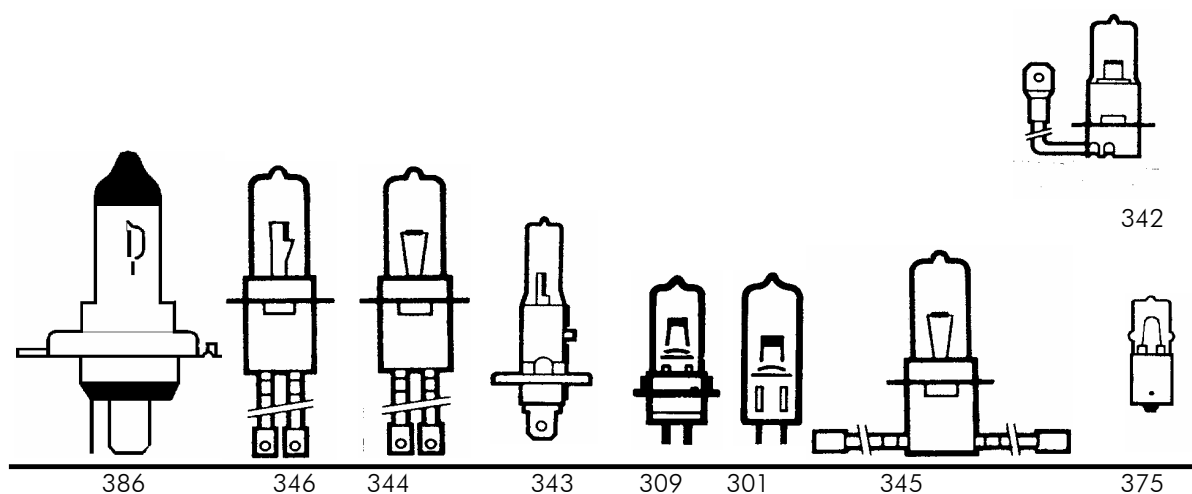
341



445

Dental Equipment Lamps (without Reflector)

Ordering Code	Reference Osram	Voltage [Volt]	Power [Watt]	Current [A]	Base	Length [mm]	Average Rated Life [hrs]	Fig.
JQ-012	64222	6	10		PG22	9x44	300	309
OS-111	64111	12	5		Ba9s	9x33	240	375
JQ-030	64261	12	30		G6,35	12x45	50	301
JQ-032	64260	12	30		PG22	9x40	50	309
JQ-052	64609HLX	12	50		PG22	11x48	50	309
OS-150	64150	12	55		P14,5s	8x62	150	343
OS-151	64151	12	55		PK22s	11x42	150	342
JQ-122	64626HLX	12	100		PG22	11x48	50	309
OS-193	64193	12	60/55		P43t	17x92		386
OS-156	64156	24	70		PK22s	11x42		342
DZE/FDS	64643	24	150		GY9,5	15x57	100	457
JQ-249	64642HLX	24	150		G6,35	14x48	300	301
HF-317	64317		45	6,6	PK30d	13x58	1000	346
HF-341	64341HLX		100	6,6	PKx30d	13x55	1000	345
HF-001	64342HLX		100	6,6	PK30d	13x58	1000	344
HF-382	64382HLX		200	6,6	PK30d	13x64	1000	344

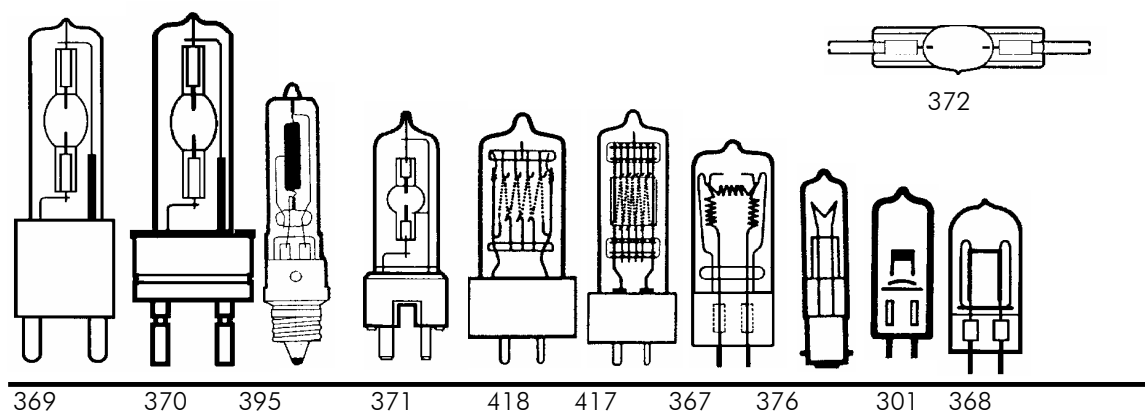


Special Lamps

Ordering Code	Voltage [Volt]	Power [Watt]	Base	Length [mm]	Average Rated Life [hrs]	Fig.
NG-240	24	150	G17Q	32x103	25	upper Fig.
JQ-250	24	250	G6,35	14x55	30	301
JQ-250HLX	24	250	G6,35	14x55	50	301
JQ-259HLX	24	250	G6,35	14x55	300	301
JQ-436	36	400	G6,35	18x60	50	301
JQ-436HLX	36	400	G6,35	18x60	50	301
HM-048	67	400	GZZ9,5	23x110	650	371
HC-040	80	400	Special	16x93	500	372
HM-079	95	575	G22	30x145	750	369
MP-079	100	575	G22	30x145	1000	370
OH-189	230	500	GY9,5	22x75	75	418
OH-190	230	500	GY9,5	22x75	75	417
OH-164	230	800	GY9,5	22x87	75	417
FSY	240	400	GY9,5	18x71	50	417

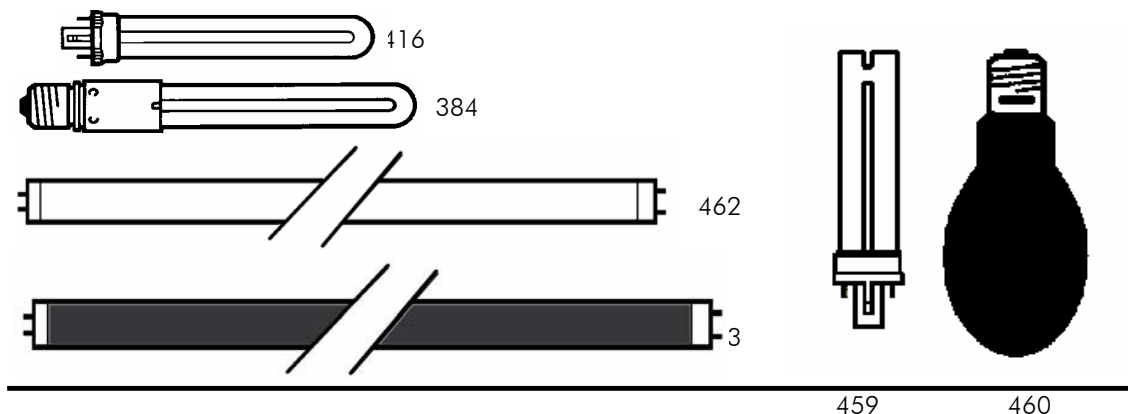
Halogen Lamps High Voltage

Ordering Code	Voltage [Volt]	Power [Watt]	Base	Length [mm]	Average Rated Life [hrs]	Fig.
HE-251	220	250	Ba15d	18x98	2000	376
EL-254	220	250	E14	15x81	2000	395
AL-515	220	300	GX6,35	18x57	15	368
BVM	220	650	GX6,35	24x57	15	368
AL-175	220	1000	GX6,35	24x67	15	367



Lamps for UV-Applications

Ordering Code	Osram	References		Wave Length	Power [Watt]	Base	Length [mm]	Fig.
		Philips	Alternativ					
SB-004		TUV4W	G4T5	UVC254nm	4	G5	150	462
SB-005	HNSG5OFR		NSE5-220 G	UVC254nm	5	G23	122	416
SB-006		TUV6W	G6T5	UVC254nm	6	G5	226	462
SB-008		TUV8W	G8T5	UVC254nm	8	G5	303	462
SB-010	HNS10W/UOZ		NSE10-210	UVC254nm	10	E27	221	384
SB-011	10W/UOZ		34312193	UVC254nm	10	E27	221	384
SB-015	HNS15WOFR	TUV15WLL	G15T8	UVC254nm	15	G13	438	462
SB-683			56075683 / NN15/44	UVC254nm	15	G13	435	462
SB-030	HNS30WOFR	TUV30WLL	G30T8	UVC254nm	30	G13	895	462
SB-685			56075685 / NN30/89	UVC254nm	30	G13	893	462
SB-055	HNS55WOFR		NTE55-270	UVC254nm	50	G13	895	462
BLB-004		TL4W/08	F4T5	UVA 366nm	4	G5	150	463
BLB-006		TL6W/08	F6T5	UVA 366nm	6	G5		463
BLB-008		TL8W/08	F8T5	UVA 366nm	8	G5	290	463
BLB-009		PLS-9W/08		UVA 366nm	9	G23	130	459
BLB-015			F15T8	UVA 366nm	15	G5		463
BLB-018		TL-D18W/08	NL18W	UVA 366nm	18	G13	600	463
BLB-036	L36W	TL-D36W/08	NL36W	UVA 366nm	36	G13	1200	463
BLB-125	HQV125W	HPW125WT	HBT125-28	UVA 366nm	125	E27	177	460
BLB-126		HPW125WTS		UVA 366nm	125	E27	177	460
BLB-160		MLW160W		UVA 366nm	160	E27	177	460
BLB-400			H400BL	UVA 366nm	400	E40		460
WM-001			F85/100WPUVA		100	G13		462
WM-002			F85100W-UV6		100	G13		462
WM-003			F85100WUV21		100	G13		462
WM-004			F15T8-PUVA		100	G13		462
WM-005			F15T8-UVB	UVB 312nm	15	G13	438	462
WM-006			F8T5-PUVA		8	G5		462
WM-007			F8T5-UVB	UVB 312nm	8	G5	303	462
WM-008			FR90-T12					462
SB-009		PLS9W TUV		UVC	9	G23		upper Fig
SB-012		PLS11W TUV		UVC	11	G23		upper Fig

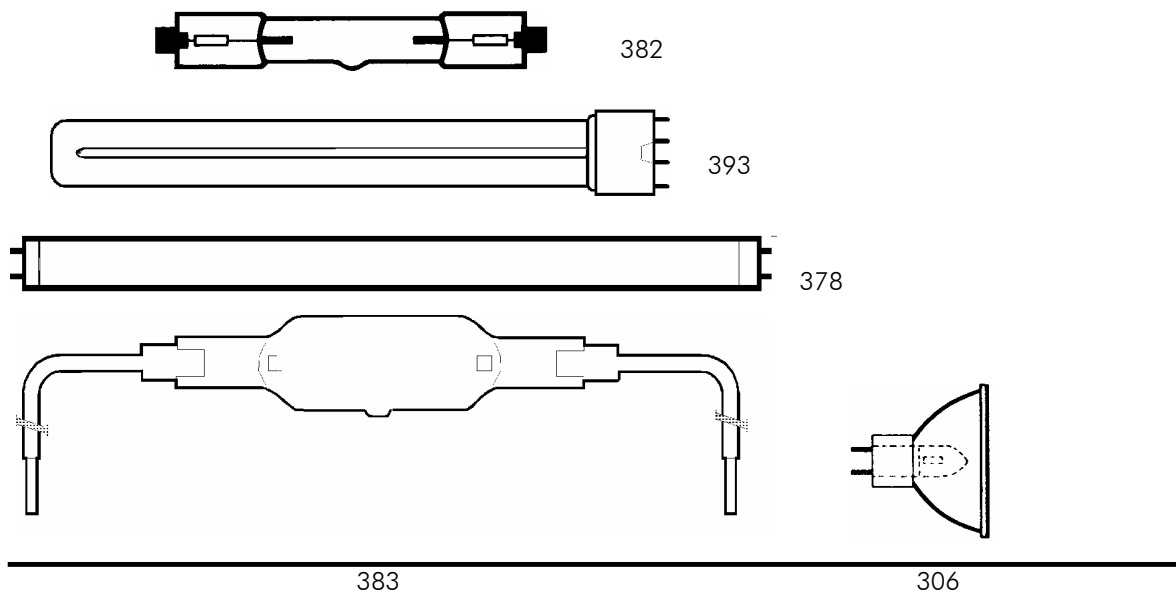


Lamps for Photo Therapy (SAD)

Ordering Code	Osram	References Alternativ	Voltage [Volt]	Power [Watt]	Base	Length [mm]	ate Averaç Life [hrs]	Fig.
FKLA-18830	DL18W/31	LUX L18W/31	9	18	2G11	209		393
EXN	41870 WFL	20833	12	50	GX5,3	50x45	3000	306
DDL		43537	20	150	GX5,3	50x45	500	306
UM-400	Ultramed400W	FDA	125	400	R7s	104	1000	382
UM-100	Ultramed1000W	Q 1144 Z4	130	1000		141	1000	383
UM-200	Ultramed2000		145	2000		196	800	383
FKUV-09071	DS9W/71	Ralutec 9W/71		9	G23	168		upper Fig.
FKSA-11840	PL-S11W/84	1.040.114		11	G23	238		upper Fig.
FKUV-18071	DL18W/71	Ralutec long 18W/71		18	2G11	225		393
FLLA-18071**	L18W/72**			18	G13	590		378
TL20W/52				20	G13	600		378
FLLA36072**	L36W/72**			36	G13	1200		378
FLLA-58072**	L58W/72**			58	G13	1500		378
UV-300	Ultra Vitalux	HRC300-280		300	E27	185	1000	381
HPA400S		HPA400S		400	R7s	118	750	382
RS-402*		56033065 / Q402Z7			R7s	105		382

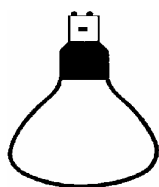
* apply only original Heraeus here

** SAD-Application

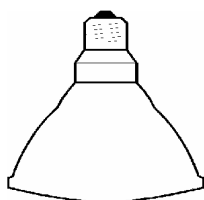


Lamps for Infrared Heat

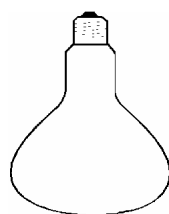
Ordering Code	Osram	References Philips	Alternativ	Voltage [Volt]	Power [Watt]	Base	Length [mm]	ited Average Life [hrs]	Fig.
HL-542			Sollux / 56052542	115	300				upper Fig.
SI-100	Sicca L/R 100W	IR100RPAR38		230	100	E27	136	5000	379
TH-150	Thera DL 150W	PAR38EINF		230	150	E27	136	5000	379
SI-150	Sicca L/R 150W	IR150R125		230	150	E27	185	5000	381
SI-151		IR150SR125		230	150	E27	134	300	379
SI-175	Sicca L/R 175W	IR175RPAR38		230	175	E27	136	5000	379
TH-250	Thera 250W		RIR250	230	250	E27	185	5000	380
SI-250	Sicca l 250W	IR250SR125		230	250	E27	185	5000	381
HL-554			Sollux / 56018554	230	300	B22d			373
HL-150			56053026	230	450				upper Fig.
HL-001			Sollux / 56007550	230	150	E27	136		379



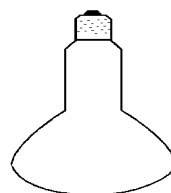
373



379



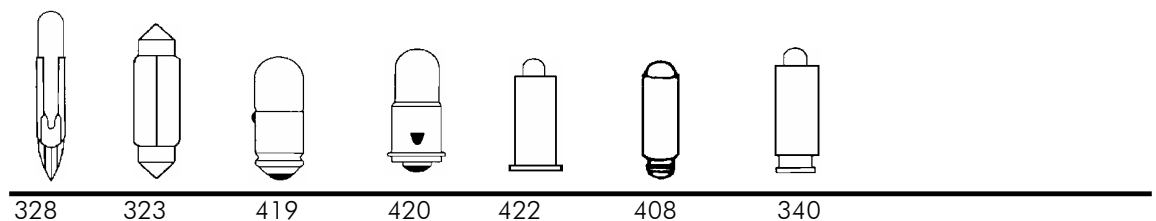
380



381

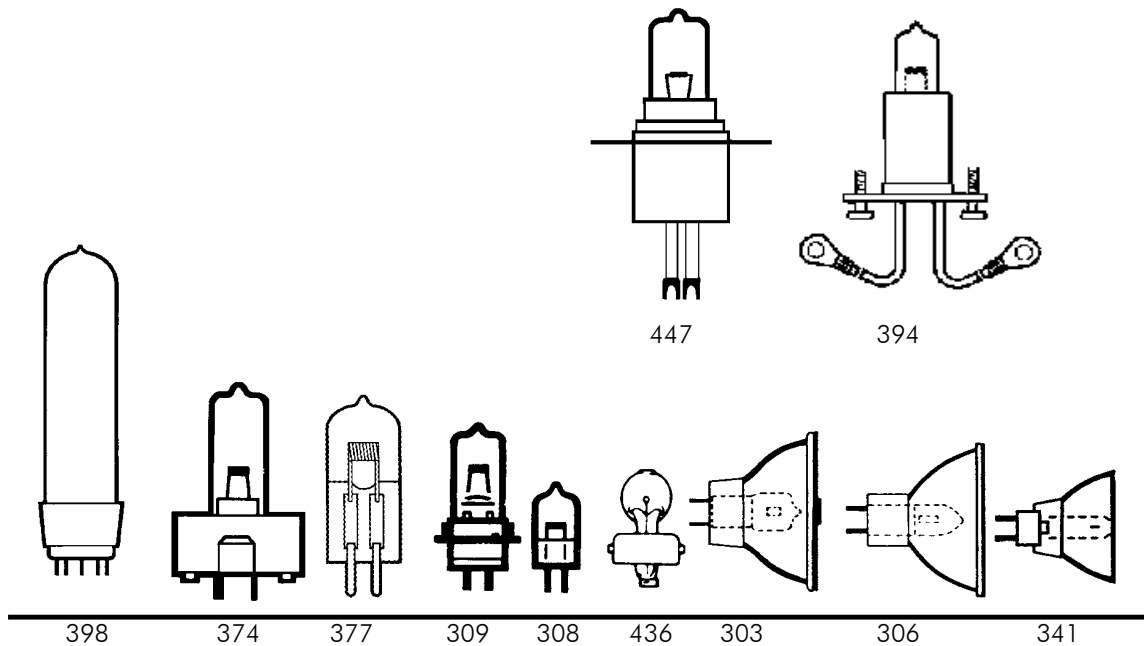
Telefon Lamps - Festoon Lamps - CEAG Lamps

Ordering Code		Voltage [Volt]	Current [mA]	Power [Watt]	Base	Length [mm]	Fig.
NK-2412		2,4		1,2	Ba9S	11x24	upper Fig.
NK-4815		4,8		1,5	Ba9S	9x23	upper Fig.
NK-4825		4,8		2,5	E10	18x32	upper Fig.
TE-450580		5	80		T4,5	4,5x16,5	upper Fig.
TE-450650		6	50		T4,5	4,5x16,5	upper Fig.
TE-450670		6	70		T4,5	4,5x16,5	upper Fig.
GE-328		6	200mA		MF6s/8		420
GE-382		14	80mA		MF6s/8		420
GE-386		14	80mA		MG5,7S/9		419
TE-462420		24	20		T4,6	4,6x22	328
TE-552420k		24	20		T5,5k	5,5x22	328
TE-552440k		24	40		T5,5k	5,5x22	328
SO-082405	white/red/green	24		5	S8	11x39	323
SO-102405	white/red/green	24		5		15x43	323
GE-327		28	40mA		MF6s/8		420
GE-334		28	40mA		MG5,7S/9		419
TE-553020k		30	20		T5,5k	5,5x22	328
TE-683020		30	20		T6,8	6,8x44	328
TE-683040		30	40		T6,8	6,8x44	328
TE-553620k		36	20		T5,5	5,5x22	328
TE-554820k		48	20		T5,5	5,5x22	328
TE-684820		48	20		T6,8	6,8x44	328
TE-556020k		60	20		T5,5k	5,5x22	328
TE-686020		60	20		T6,8	6,8x44	328
TE-557020		70	20		T5,5	5,5x30	328
TE-687020		70	20		T6,8	6,8x44	328
TE-687040		70	40		T6,8	6,8x44	328



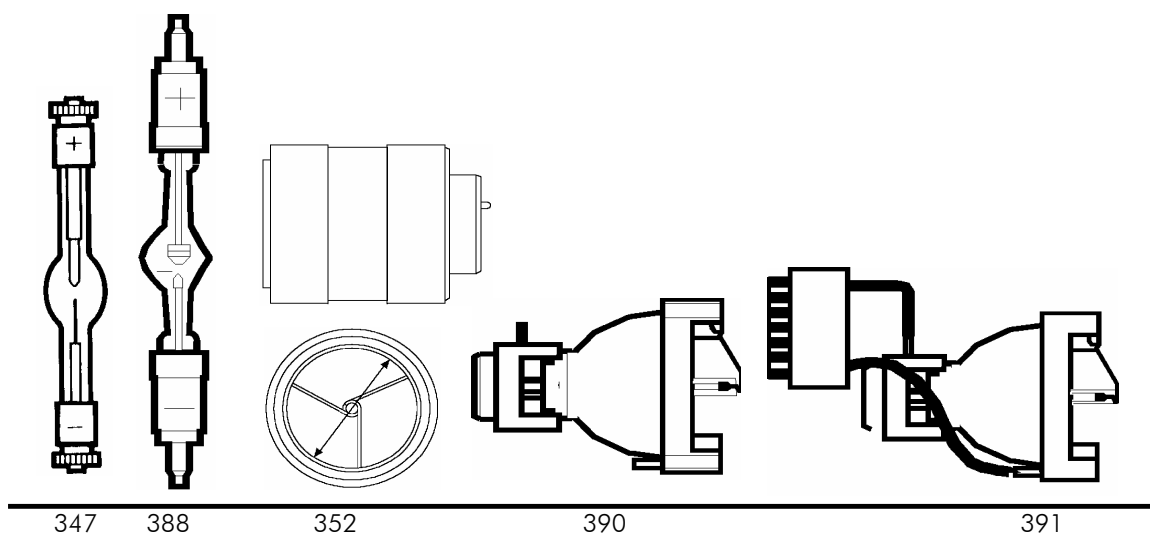
Lampen für Analyse-Geräte, Photometer Halogenlampen

Ordering Code	References		Voltage [Volt]	Power [Watt]	Current [A]	Base	Length [mm]	Fig.
	Osram	Alternativ						
JQ-010	64223		6	10		G4	8x38	308
KL-010		JCRM H20-3	6	10				303
MI-063		O 3113/601034	6	18		Ba15s	18x35	399
EH-620	64250HLX	7388	6	20		G4	9x31	308
GE-1974		32780	6	20		wire base	29	436
ME-122		NK-55131	6	20		Special/Cable		447
EFM		41251	8	50		GZ6,35	50x42	303
DZA		37346	10,8	30		G5,3	10x51	377
EKZ		36902	10,8	30		GX5,3	50x45	306
FTD/PROF		201121	12	20		G4	35x45	341
ME-120		705-0840	12	20		Special/Cable	9x40	394
NH-020	64425S	13078A UB	12	20		G4	9x33	308
JQ-033		KZ1230 10H	12	30				308
KL-075	64615HLX	6853	12	75		GZ6,35	50x42	303
FDT	64628	5973	12	100		GY9,5	15x57	374
JQ-122	64626HLX	6839C	12	100		PG22	4x48	309
DJT		13189	13,8	50		GX5,3	50x45	306
BHK		80-7025-09						upper Fig.
SQ-035		ST35				Pico9		398
SQ-043		ST43/1			1	Pico9		398



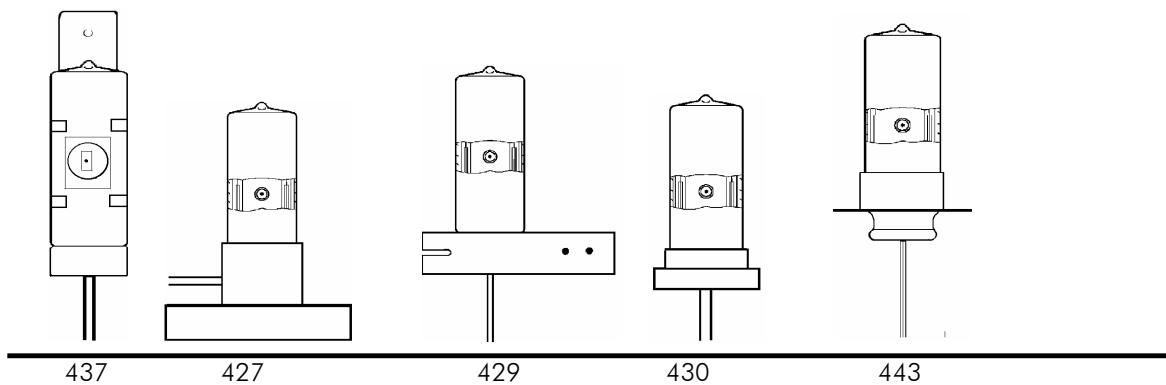
Lamps for Analytical Devices, Discharge Lamps

Ordering Code	References		Voltage [Volt]	Power [Watt]	Length [mm]	Rated Average [hrs]	Colour temp.[K°]	Fig.
	Osram	Alternativ						
XL-0254	XBO250W/4		13	250	226	1200	6000	388
XL-0075	XBO 75W/2	UXL 75XO	14	75	90	400	6000	347
XL-0076	XBO 75W/2OFR		14	75	90	400	6000	347
CE-304		300 UV	14	300	32X50	500	5900	352
XL-0153	XBO 150W/CROFR	UXLS150MO	17,5	150	150	1200	6000	347
XL-0152	XBO150W/1OFR	UXL150SO	20	150	150	1200	6000	347
XL-0154	XBO150W/4 Suprasil		20	150	150	1200	6000	347
XL-0151	XBO150W/1	UXL150S	20	150	150	1200		347



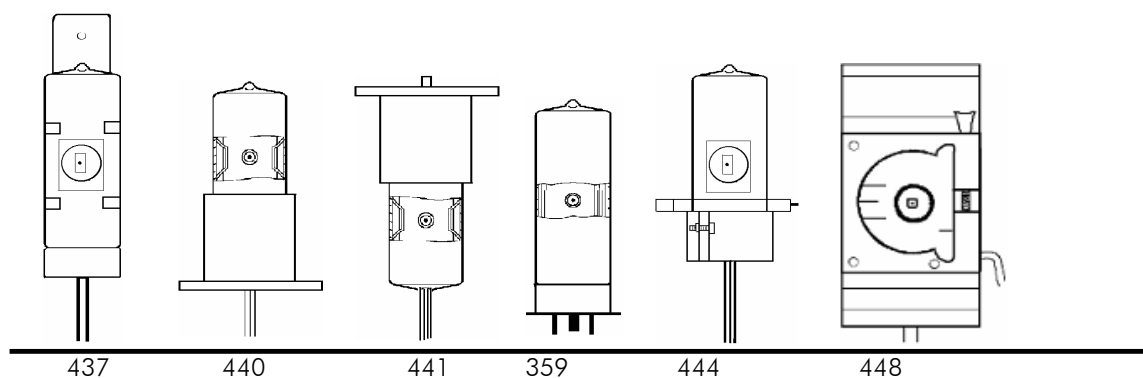
Lamps for Analytical Devices, Deuterium Lamps

Ordering Code	Voltage [Volt]	Power [Watt]	Base	Length [mm]	Rated Average Fig. Life [hrs]
DM-008	60-80	300	adjusted Metal Flange Ring	30x66	1000 443
DM-011	65-85	300	adjusted Metal Flange Ring	30x67	1000 430
DM-009	70-90	300	adjusted Metal Flange	30x81	1000 427
DM-010	70-90	300	Plastic cap	30x88	1000 429
DM-012	70-90	300	adjusted Metal Flange Ring	30x66	1000 443
DM-006	75-95	300	adjusted Metal Flange	30x98	1000 427
DM-013	75-95	300	adjusted Metal Frame	30x73	1000 437



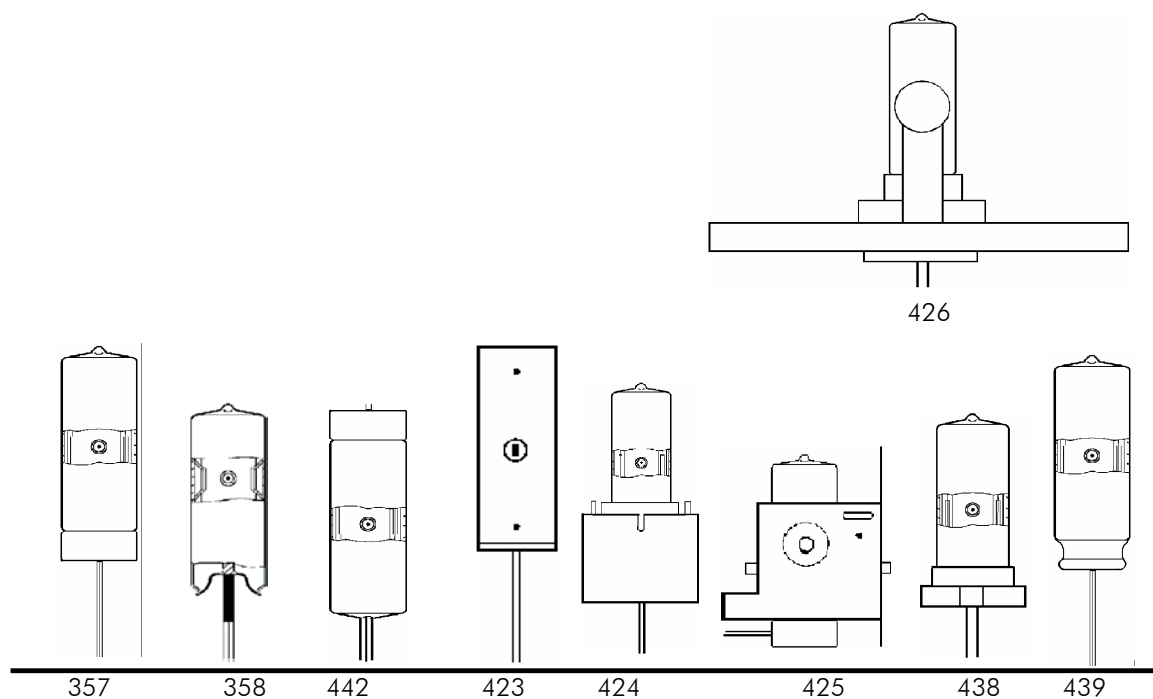
Lamps for Analytical Devices, Deuterium Lamps

Ordering Code	Voltage [Volt]	Current [mA]	Base	Length [mm]	Rated Average Life [hrs]	Fig.
DM-015	60-70	300	adjusted Metal Flange Ring	30x79,3	1000	441
DM-014	75-95	300	adjusted Metal Flange Ring	30x76	1000	359
DM-016	75-95	300	adjusted Metal Flange Ring	30x96	1000	440
DM-018			Special			444
DM-019			Special			437
DM-021			Special			448



Lamps for Analytical Devices, Deuterium Lamps

Ordering Code	Voltage [Volt]	Current [mA]	Base	Length [mm]	Rated Average Life [hrs]	Fig.
DO-003	60-80	300	without	30x79,3	1000	442
DO-901T	65-85	300	without	30x81	1000	439
DO-946	65-85	300	without	30x66	1500	439
DM-004	70-90	300	Plastic cap	30x72	1000	425
DO-802	70-90	300	without	30x88	1000	357
DO-222/05	75-95	300	without	30x88	1000	357
DO-227/05	75-95	300	Plastic cap	30x88	1000	357
DO-302	75-95	300	Plastic cap	30x88	1000	357
DO-303	75-95	300	without	30x88	1000	357
DO-650T	75-95	300	without	30x75	1000	358
DO-902	75-95	300	without	30x88	1000	357
DO-902T	75-95	300	without	30x88	1500	357
DO-903T	75-95	300	without	30x81	1000	439
DO-848	80-100	300	without	30x81	1000	439
DO-629	85-105	300	without	30x88	1000	357
DM-001			Special			423
DM-002			Special			424
DM-003			Special			438
DM-005			Special			426
DO-001			Special			upper Fig.
DO-002			Special			upper Fig.
DO-004			without			357



22

Replacementlist for OP Lamps

Hanaulux Lamps

Modell	Ordering Code	Page
Amsterdam	HL-366	3
Boston	HL-678	3
	HL-251	3
	HL-253	3
	HL-578	3
	HL-679	3
	HL-685	3
Endo	HL-869	3
Frankfurt	HL-566	3
Hamburg	HL-550	3
	HL-164	3
	HL-170	3
	HL-238	3
	HL-579	3
	HL-505	3
Hanaulux Blue 30	HL-010	3
Hanaulux Blue 80	HL-026	3
Hanaulux 1001	HL-852	3
Hanaulux 2000	HL-282	3
	HL-757	3
Heidelberg	HL-769	3
Hospitaleuchte	HL-191	3
London	HL-678	3
	HL-251	3
	HL-252	3
	HL-253	3
	HL-578	3
	HL-679	3
	HL-685	3
	HL-813	3
London-H	HL-566	3
Melbourne	HL-769	3
Oslo	HL-769	3
Palma	HL-188	3
	HL-189	3
	HL-190	3
	HL-306	3
Satellit	HL-423	3
Spezial	HL-399	3
	HL-488	3
	HL-565	3
	HL-653	3
Universal	HL-678	3
	HL-250	3
	HL-252	3
	HL-685	3
Wien	HL-678	3
	HL-251	3
	HL-253	3
	HL-578	3
	HL-679	3
	HL-685	3

Berchthold Lamps

Type	Ordering Code	Page
B-480	TU-003	4
B-680	TU-003	4
B-950	TU-003	4
C-200	TU-001	4
C-300	TU-001	4
C-450	TU-002	4
C-450 alt	TU-003	4
C-452	TU-002	4
C-570	TU-004	4
C-571	TU-007	4
C-572	TU-007	4
C-950	TU-006	4
C-950G	TU-005	4
C-952	TU-005	4
D-200	TU-019	4
D-200 (24V)		
D-300	TU-020	4
D-300 (24 V)	TU-001	4
D-650	TU-005	4

Dr. Mach Lamps

Type	Ordering Code	Page
Mach 120	MA-040	4
Mach 130	MA-044	4
Mach 130F	MA-040	4
Mach 380F	MA-050	4
Mach 380DF	MA-050	4
Mach 400F	MA-050	4
Mach 400DF	MA-050	4
Mach 500F	MA-050	4
Mach 500DF	MA-050	4
Mach 700 F	MA-050	4
Mach 700 DF	MA-050	4
Quintaflex R96	MA-051	4
Praxila ab 1993	MA-040	4
Praxila bis 1993	MA-044	4
Soloflex	MA-064	4
Triaflex (R96) ab 1993	MA-040	4
Triaflex (R96) bis 1993	MA-044	4
Trigenflex R96	MA-050	4

Martin Lamps

proper for	Ordering Code	Page
86-903-00	MT-903	4
86-905-00	MT-905	4
86-907-00	MT-907	4
86-910-00	MT-910	4
86-970-00-04	MT-970	4



Lamps for Analytical Devices, Photometer, Halogen

Lamps

Manufacturer	Model	Ordering Code	Page
Abbott	TDX/IMX	EFM	25
Bayer	Clinitex 200+	EKZ	25
	H2 Peroxkanal	FDT	25
	Opera	GE-1974	25
Behring	Chromotimer	SQ-035	25
Dade	Stratos UV-Lampe	BHK	25
	Sysmex CA6000	KL-010	25
Eppendorf	Ecom 6122	JQ-010	25
	Spektr. Ip. Modell	SQ-043	25
Hitachi/Boehringer	704	ME-120	25
Klinischer Analyser	705	ME-120	25
	717	ME-120	25
	737	ME-120	25
	747	ME-120	25
	911	ME-120	25
Hitachi	F200 Fluoreszenz Spektr.photom.	XL-1500	26
Hitachi/Merck	F1050	XL-1500	26
	F1080	XL-1500	26
	F1100	XL-1500	26
Instrument Laboratory	Monarch	DJT	25
Helena	Elektrophorese	DZA	25
	Elektrophorese	NH-020	25
Kodak	Ektachem 381720	GE-1974	25
Krone	Analyzer	EH-620	25
Merck	Easy-SF	EH-620	25
	Magia 7000	KL-075	25
Mitsubishi	NK55131	ME-122	25
Molter-Ortho	Bilimeter	MI-063	25
	Bilimeter 2	JQ-033	25
Olympus	AU 500	JQ-122	25
Perkin Elmer	204A	XL-0154	26
Sebiachem.	Elektrophorese	EH-620	25
Shimatsu	RF500	XL-1500	26
	RF530	XL-1500	26
	RF551	XL-1500	26
	RF1002	XL-1500	26



Endoscope Lamps

Manufacturer	Model	Ordering Code	Page
3DScope	300W Xenon	CE-303	14
Acufex	FRX300 Xenon	CE-303	14
	Acufex Xenon Ultra Lite	CE-303	14
ALM MTA	Starpointe XE	CE-303	14
ACMI/Circon	ALV-1 and MV9098	CE-303	14
Baxter/Mueller	OPSIS VS5500	CE-303	14
	OPSIS VS5600	CE-303	14
Baxter/Edwards	OPTX300	CE-303	14
BEI/Xylog	300W Xenon	CE-303	14
Birtcher/Solos	ELS2	CE-175	14
	GS9255	CE-303	14
	GS9205	CE-303	14
	SOLOS 3 CHIP/XENON INTEGRATED	CE-303	14
Cabot Medical	System 3000	CE-303	14
Circon/ACMI	ALV-1 and MV9098	CE-303	14
Cooper Surgical	Endomed LSS700	CE-303	14
Dornier	Endognost	RP-502	14
Dyonics (Smith&Nephew)	Dyo-Bright 3000 XE	CE-303	14
Endo Image	300W Xenon	CE-303	14
Endolap	S605-25	CE-303	14
	FO16000	CE-303	14
Endomedics	S1500	CE-303	14
Endotech	XBO-R 100W/45	XL-0102	14
	XBO-R 100W/45-C	XL-0103	14
FPO(Fujinon)	EPX302 "Y1072" / Y1089"	CE-303	14
	FLXDS 300, 600	CE-303	14
	EPX301A	CE-303	14
	FLX300A	CE-303	14
	FRX2000	CE-303	14
	FLX300	CE-303	14
Fuji	FLX2000	CE-303	14
Linvatec	300W Xenon 8170	CE-303	14
Lutec	7000 (300W)	CE-303	14
	9000/93000 (300W)	CE-303	14
	1900 (150W) "Y1144"	CE-150	14
	9175	CE-175	14
	1300	CE-303	14
	1600	CE-303	14
Medical Dynamics	6100XE	CE-303	14
Mist	300W Xenon	CE-303	14
Nextec	300W Xenon	CE-303	14
	Nextec 300	CE-303	14
Olympus	CLV 10	CE-303	14
	CLV F10	CE-303	14
	CLV U20	CE-303	14
	ILX6300	CE-303	14
	ILX/CLS/ILV/CLV-A (300W)	CE-303	14
	XLS (175W) oder CLV-A (175W)	CE-175	14
	CV-1	CE-303	14
	CLV U40	CE-303	14
	CLV S20	CE-303	14



Endoscope Lamps

Manufacturer	Model	Ordering Code	Page
Origin Medical	300W Xenon	CE-303	14
	175W	CE-303	14
Pentax	Video Processor OLX4 EMP3000	CE-303	14
	LX300	CE-303	14
	LX500A	CE-303	14
Pilling	300W Xenon	CE-303	14
Snowden Pencer	Xenon L/S 300W	CE-303	14
Storz	610	CE-303	14
	611	CE-303	14
	615	CE-175	14
	300	CE-303	14
	630	CE-303	14
	487XE	CE-303	14
	610C	CE-303	14
	615XES	CE-303	14
	611C	CE-303	14
	LX175F	CE-303	14
	610XE	CE-303	14
	615C	CE-303	14
	615XE	CE-303	14
	20133020 (300W)	CE-303	14
	Tgarno	35 AX ACUBEAM	CE-303
Vanguard	XR-350	CE-303	14
	XR-35	CE-303	14
	XR-300	CE-303	14
	XRM-4	CE-303	14
Video Dynamics	XLC-300	CE-303	14
Weck	WECKLITE300	CE-303	14
Wolf	300W Xenon	CE-303	14
	175W Model #5121	CE-303	14
Zeiss	Superlux300	CE-303	14

Replacement Lamps for Spectralphotometer and HPLC Devices

Manufacturer	Model	Lamp type	Manufacturer	Model	Lamp type
Altex/Hitachi	100 (HPLC)	DO-946	HPLC Merck	L 3000	DM-008
Aminco (SLM)	DW 2 A	DO-902		L 4000	DM-008
	DW 2 C	DO-946		L 4200	DM-008
BAS	200	DM-004		L 4250	DM-008
Beckmann	100	DO-946		L 7400	DM-008
(Altex HPLC)	155	DO-848	Spektrophotometer	U 1100	DM-012
	163	DO-901 T		U 2000	DM-012
	165	DO-003		U 3210	DM-012
	167	DO-003		U 3410	DM-012
Beckmann	DU 6	DO-003		U 3501	DM-012
(Spectros)	DU 7	DO-003		U 4001	DM-012
	DU 20	DO-003		655 A 22	DM-012
	DU 30	DO-003	IBM	LC 9523	DO-902
	DU 40	DO-003	ICI	LC 1200	DO-946
	DU 50	DO-003	Instrument S.A.	JY-201	DO-802
	DU 60	DM-015	Jasco	Uvidec 4 D	DO-946
	DU 62	DM-015		Uvidec 100	DO-848
	DU 64	DM-015		Uvidec 100 II	DO-848
	DU 65	DM-015		Uvidec 320	DO-848
	Acta Series	DO-003		Uvidec 340	DO-848
	5200 Series	DO-003		Uvidec 420	DO-848
	24	DO-946		Uvidec 505	DO-848
	25	DO-946		Uvidec 510	DO-848
	26	DO-946		Uvidec 710	DO-848
	34	DO-946		870 UV	DO-004
	35	DO-946	Jobin Yvon/ Instruments S.A.	Monospec 103	DO-902
	36	DO-946	Joyce Loebel	Chromoscan	DO-902
Carlo Erba	Sp 601	DO-802		Scan 400	DO-802
	andere	DO-902	Kontron	LC 332	DO-802
Coleman	55	DO-946		LC 430	DO-222/05
	124	DO-946		LC 432	DO-802
	550	DO-946		LC 720	DO-802
	552	DO-946		LC 722	DO-902
Dionex	Durrum	DO-802		610 LC	DO-802
Dupont	825	DO-946		720 LC	DO-802
	837	DO-802		710	DO-802
	850	DO-946		725	DO-946
Erma	ERC 7210	DO-848		810	DO-802
Gilford	200	DO-802		820	DO-802
	220	DO-802		860	DO-802
	240	DO-802		930	DM-010
	250	DO-802		931	DM-010
	252	DO-802		941	DO-227/05
	260	DO-802	Kratos	SF 700	DO-802
	2000	DO-802		SF 740	DO-802
	2400	DO-802		SF 770	DO-802
	2600	DO-802		SF 773	DM-021
	Response	DO-946		SF 780	DO-802
Gilson	Holochrome	DO-902		HS 870	DO-802
	112	DO-902		120A	DM-001
	116	DM-016		130A	DM-001
	117	DM-016		230A	DM-001
Hewlett-Packard	HP 1084 B	DO-303		270A	DM-001
	HP 8452 A	DM-003		471A	DM-001
	1040	DM-002		757	DM-001
	1040A	DM-002		759	DM-001
	1050DA	DM-002		783A	DM-001
	1050VW	DM-002		785	DM-001
	1090	DM-002		970	DO-802
Hitachi	101	DO-848		980	DM-001
	102	DO-848			
	150/20	DM-012			
	41100	DM-012			



Replacement Lamps for Spectralphotometer and HPLC Devices

Manufacturer	Model	Lamptyp	Manufacturer	Model	Lamptyp
Lear Siegler	SM 400	DO-802	Shimadzu (Continuation)	UV-1200	DM-014
	SM 700	DO-802		UV-1600	DM-014
	SM 810	DO-802		UV-160 A	DM-014
	SM 1000	DO-802		SPD-2 A	DO-302
	SM 2020	DO-802		CS 930	DM-014
Linear	200	DM-004		CS 9000	DM-014
	203	DM-004		UV 365	DM-014
	204	DM-004		UV 2100	DM-014
	206	DM-004		UV 3000	DM-014
	500	DM-004		AA 660/67	DM-014
	503	DM-004			
	601	DM-004			
Mc Pherson	701 , 707	DO-902	Thermo Separation	LC 8200	DO-902
Micrometrix	785	DO-902	(Spectra Physics)	LC 8400	DO-902 T
	786	DO-902		LC 8440	DO-902 T
Thermo Separation (LDC/Milton Roy)	I	DO-901 T		LC 8450	DO-902 T
	II	DO-901 T		LC 8490	DO-902T
	III	DO-901 T		100	DM-004
	D	DO-901 T		200	DM-004
	3000	DO-902		UV 500	DM-004
	3100	DO-902		UV 1000	DM-004
	3200	DO-902		UV 2000	DM-004
	4000	DO-902		Spectra-Chrom	
	4100	DO-902		100/200	DM-004
	5000	DO-902		Focus	DM-004
	SM 4000	DO-902		Elektrophorese	
	121	DO-901 T		Kapillar	DM-004
	1200	DO-901 T			
	1222	DO-901 T			
Optica	10	DO-902	Tracor	D 970 A	DO-902
Perkin Elmer	M 46	DO-902	Turner	330	DO-902
	M 55	DO-902		430	DO-902
	M 57	DO-902	Varian	2050	DM-002
	2280	DO-848	Waters	Lambda max	DO-903 T
	2380	DO-848		480	DO-903 T
	4000	DO-848		481	DO-903 T
	5000	DO-848		481 LC	DO-903 T
	272	DO-848		484	DM-006
	280	DO-848		486	DM-009
	360	DO-848		990	DM-005
	370	DO-848		991	DM-005
	372	DO-848		994 DAD	DM-005
	373	DO-848		996	DM-011
	380	DO-848			
	460	DO-848			
	575	DO-946			
Perkin Elmer/Hitachi	200	DM-012	Zeiss	PM 6	DO-629
	320	DM-012		PMQ II	DO-629
	330	DM-012		M4Q3	DO-629
	340	DM-012			
	556	DM-012			
	557	DM-012			
	Lambda1	DO-650T			
Lambda2	DM-019				
Lambda3-15	DM-013				
Saitron	Monospec B	DO-802			
Shimadzu	D 300 L	DO-902			
	UV 120	DM-014			
	UV 240	DM-014			
	UV 250	DM-014			
	UV 260	DM-014			



ECONOMIC

BVBA

ZAAKVOERDER Philip Van Raemdonck
LINDENPLAATS 10
B-9180 MOERBEKE-WAAS

WWW.ECONOMIC.INTER.BE

TEL. 09 342 03 53
FAX 09 342 03 65
GSM 0495 64 03 49
economic@inter.be